

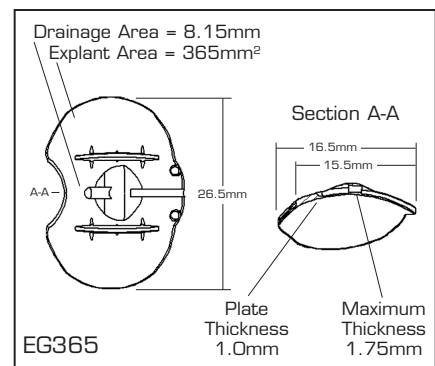
Glaucoma Devices

NON-VALVED

- Low profile
- Supplied with cannula
- Flexible silicone for better globe contour
- Dorsal ridges designed to promote low bleb profile
- Thin tube for patient comfort and to reduce complication possibilities
- Large surface area for greater posterior bleb and increased aqueous flow
- More posterior tube placement designed to promote posterior bleb formation



EG365



CE Marked

PATENT NO. D356,867 AND OTHER PATENTS PENDING.

©2008 Eagle Vision, Inc.

920133 CID 1877

 **EagleVision**[®]
AN ENTEROPTYX[™] COMPANY

8500 Wolf Lake Dr., Suite 110 • P. O. Box 34877 • Memphis, TN 38133 USA
1-800-222-7584 • (901) 380-7000 • Fax (901) 380-7001
www.eaglevis.com • info@eaglevis.com